



Speed Queen Homestyle Stack Washer and Dryer

## LTEE5ASP433VW01

### A proven performer

For more than a century Speed Queen has been focused on laundry, we know what it takes to deliver a machine with long-lasting strength, durability and performance like no other.

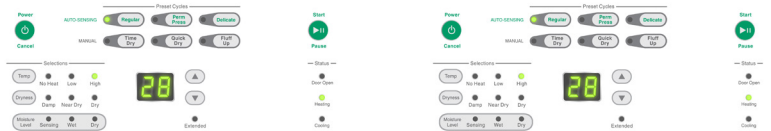


### The perfect wash

The homestyle front load washer offers a hygienic rinse cycle, minimising maintenance. Speed Queen dryers are uniquely quiet making them ideal for use in any densely populated areas. Additionally for convenience and to help with the efficient provision of a superior service, they feature an extended tumble that helps eliminate wrinkling by tumbling for two minutes at 20 minute intervals if the door isn't opened.

### Commercial Grade Controls

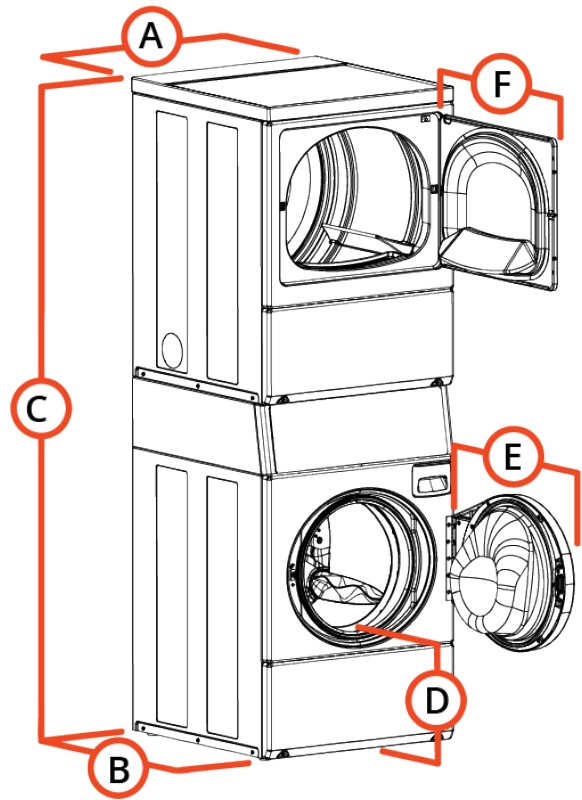
Laundry is all we do, and we do it better than anyone else in the world. For decades, we've been designing, building and testing controls the same way we do our machines: for unmatched, longer-lasting performance. Tested to endure through virtually every event that typically causes malfunction, Speed Queen controls are durably designed to last in the harshest commercial environments — and last even longer in your home. We're so confident in our controls that we back our electronic models with an industry-best warranty on all parts and in-home labor.



## Specifications

# Speed Queen Homestyle Stack Washer and Dryer

Model	LTEE5ASP433VW01
General details	
Control	HEC
Control location	Front 10 degree
Actuation	None
Drum	
Capacity kg	8,2 (W) / 9,5 (D)
Volume l	W-96,8/D-198
Drum speed	
G-factor	440
Extraction RPM	1200
Power	
Motor power kW	W-0,67/D-0,25
Voltage	220-240/50/1 (W) 220-240/50/1 (D)
Cabinet	
Cylinder Finish	Stainless / Stainless
Color	White
Door type	W-Window/D-Window
Connections	
Electrical requirements	220-240/50/1 (W) 220-240/50/1 (D)
Water inlet	3/4"
Water Pressure kPa	1,4-8,3
Transport data	
Net weight kg	175
Shipping weight kg	189
Dimensions HxWxD mm	1986 x 683 x 711
Packed dimensions HxWxD mm	2032 x 762 x 864
Packed volume m3	1,34



## Dimensions

	mm
A	683
B	711
C	1986
D	371
E	610
F	597